

Board to Board Connector

PB-10 Series 1.0mm Spacing



■ Features

1. The connectors in this series of apply to the 1.0 mm pitch SMT.
2. The series is fed also in the embossed taping system to cope with the automatic mounter.
3. Non-pin type construction assures easy, light insertion.
4. A lead-free product.

■ Specifications

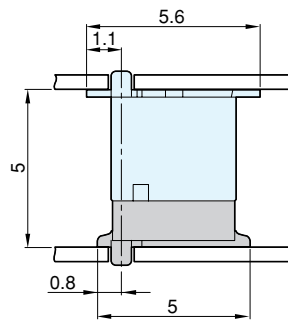
1. Rating : 0.5A 50A AC/DC
2. Contact Resistance : 20mΩ max.
3. Insulation Resistance : 500MΩ min.at 100V DC
4. Withstanding Voltage : AC 100V for one minute
5. Operating Temperature Range : -30°C to +85°C

■ Note

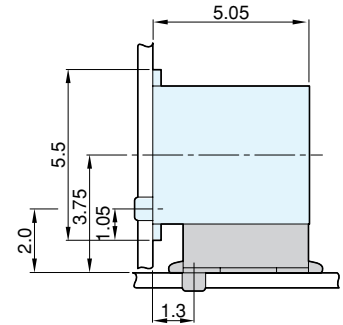
Custom made models will be available upon request.

■ Connection Diagram

Straight Type

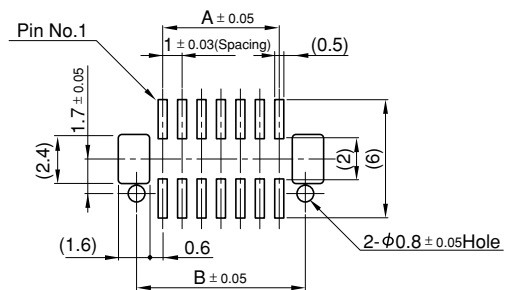


Right-Angle Type

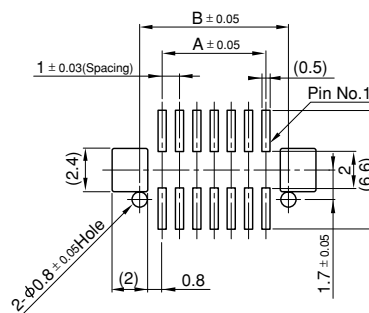


■ P.C. Board Dimension

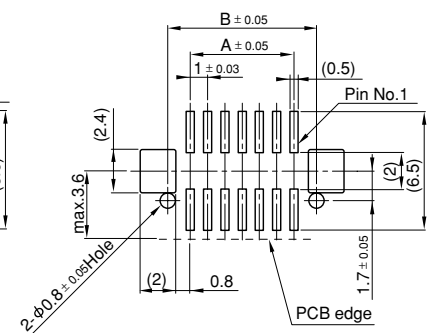
Socket



Straight Plug



Right-Angle Plug



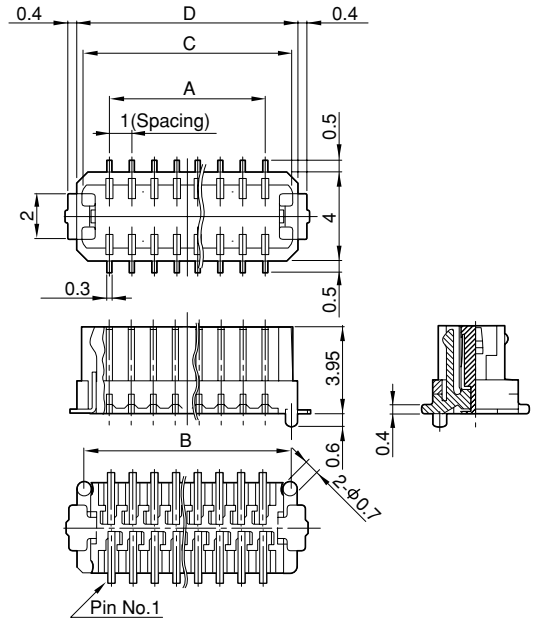
● Socket CPB 85□□-01□□F
 ↑
 No. of Pins

□□ No. of Pins	Part No.	A	B	C	D
10	CPB8510-01□□F	4	6.5	6.5	7
12	CPB8512-01□□F	5	7.5	7.5	8
14	CPB8514-01□□F	6	8.5	8.5	9
16	CPB8516-01□□F	7	9.5	9.5	10
18	CPB8518-01□□F	8	10.5	10.5	11
20	CPB8520-01□□F	9	11.5	11.5	12
22	CPB8522-01□□F	10	12.5	12.5	13
24	CPB8524-01□□F	11	13.5	13.5	14
30	CPB8530-01□□F	14	16.5	16.5	17
32	CPB8532-01□□F	15	17.5	17.5	18

■ Material and Plating

- Housing : Polyphenylene Sulfide (PPS), Natural Color, 94V-0
- Contact : Phosphor Bronze, Tin Plating
- Frame : Phosphor Bronze, Tin Plating

Socket



Straight Plug

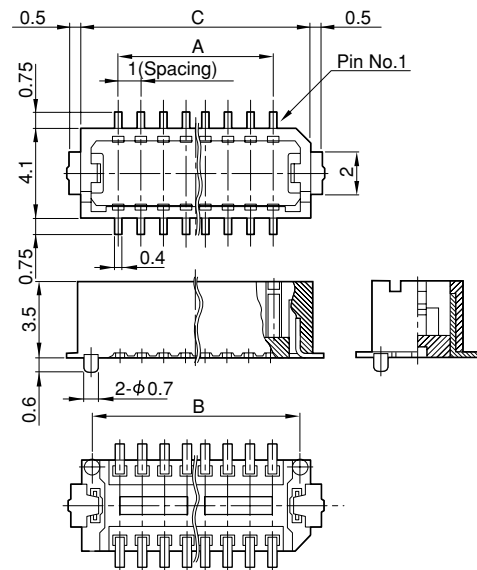
● Plug CPB 86□□-01□□F (Straight)
 CPB 86□□-02□□F (Right-Angle)

□□ No. of Pins	Straight Type	Right-Angle Type	A	B	C
10		CPB8610-02□□F	4	6.5	7.5
12	CPB8612-01□□F	CPB8612-02□□F	5	7.5	8.5
14	CPB8614-01□□F	CPB8614-02□□F	6	8.5	9.5
16	CPB8616-01□□F	CPB8616-02□□F	7	9.5	10.5
18	CPB8618-01□□F	CPB8618-02□□F	8	10.5	11.5
20	CPB8620-01□□F	CPB8620-02□□F	9	11.5	12.5
22	CPB8622-01□□F	CPB8622-02□□F	10	12.5	13.5
24	CPB8624-01□□F	CPB8624-02□□F	11	13.5	14.5
30	CPB8630-01□□F	CPB8630-02□□F	14	16.5	17.5
32		CPB8632-02□□F	15	17.5	18.5

■ Material and Plating

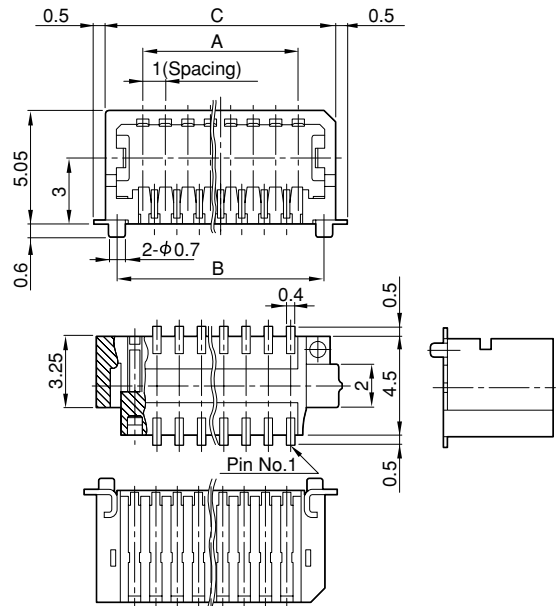
- Housing : Polyphenylene Sulfide (PPS), Natural Color, 94V-0
- Contact : Phosphor Bronze, Tin Plating
- Frame : Phosphor Bronze, Tin Plating

Right-Angle Plug



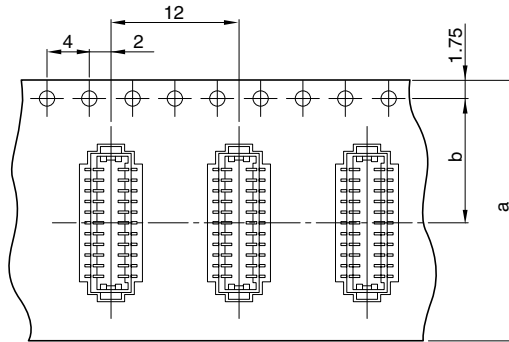
■ Variation and Packaging

□□	Frame	Boss	Packaging
01	Featured	Featured	Tray
02	Not Featured	Featured	Tray
11	Featured	Not Featured	Embossed Taping Pack
12	Not Featured	Not Featured	Embossed Taping Pack
51	Featured	Featured	Embossed Taping Pack
52	Not Featured	Featured	Embossed Taping Pack
61	Featured	Not Featured	Tray
62	Not Featured	Not Featured	Tray



Dimensions of Reels and Tapes (JIS Standard)

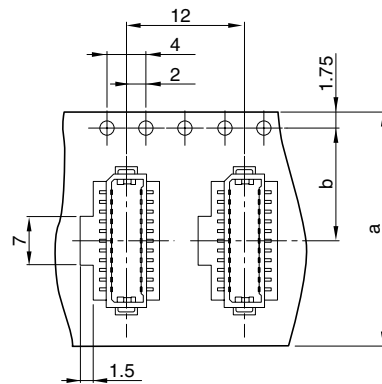
● Socket



No. of Pins	a	b	Socket Part No.
10	16	7.5	CPB8510-01 ☒ ☒ F
12			CPB8512-01 ☒ ☒ F
14			CPB8514-01 ☒ ☒ F
16	24	11.5	CPB8516-01 ☒ ☒ F
18			CPB8518-01 ☒ ☒ F
20			CPB8520-01 ☒ ☒ F
22			CPB8522-01 ☒ ☒ F
24			CPB8524-01 ☒ ☒ F
30			CPB8530-01 ☒ ☒ F
32			CPB8532-01 ☒ ☒ F

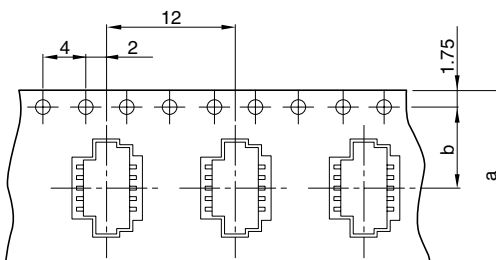
● Plug

Straight Type



No. of Pins	a	b	Plug Part No.
10	16	7.5	---
12			CPB8612-01 ☒ ☒ F
14			CPB8614-01 ☒ ☒ F
16	24	11.5	CPB8616-01 ☒ ☒ F
18			CPB8618-01 ☒ ☒ F
20			CPB8620-01 ☒ ☒ F
22			CPB8622-01 ☒ ☒ F
24			CPB8624-01 ☒ ☒ F
30			CPB8630-01 ☒ ☒ F

Right-Angle Type



No. of Pins	a	b	Plug Part No.
10	16	7.5	CPB8610-02 ☒ ☒ F
12			CPB8612-02 ☒ ☒ F
14	24	11.5	CPB8614-02 ☒ ☒ F
16			CPB8616-02 ☒ ☒ F
18			CPB8618-02 ☒ ☒ F
20			CPB8620-02 ☒ ☒ F
22			CPB8622-02 ☒ ☒ F
24			CPB8624-02 ☒ ☒ F
30			CPB8630-02 ☒ ☒ F
32			CPB8632-02 ☒ ☒ F

■ Reel Dimension
1,000pcs/reel

